



YLI ELECTRONIC



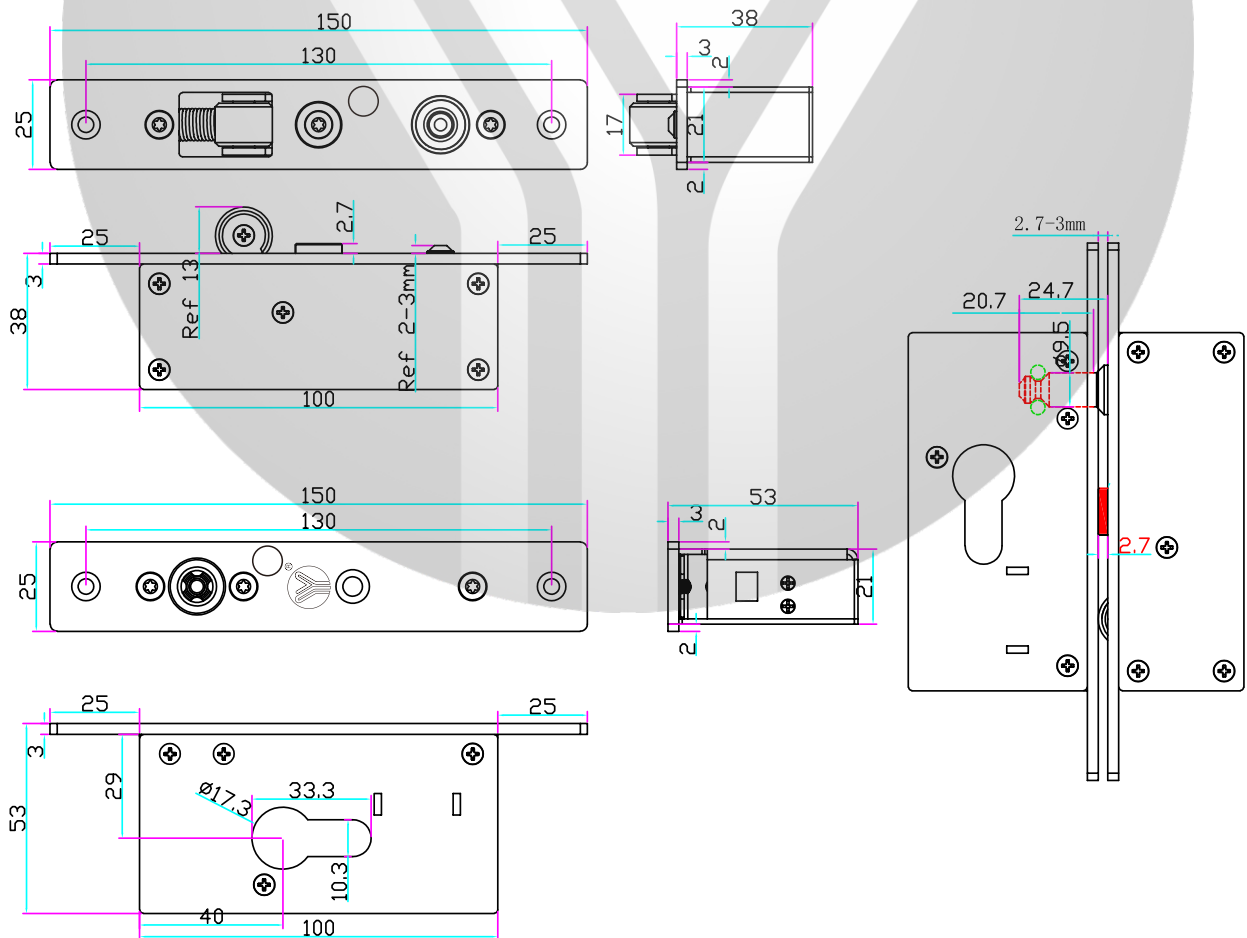
Dedicated Electric Lock For Sliding Door

Model: YSD-220

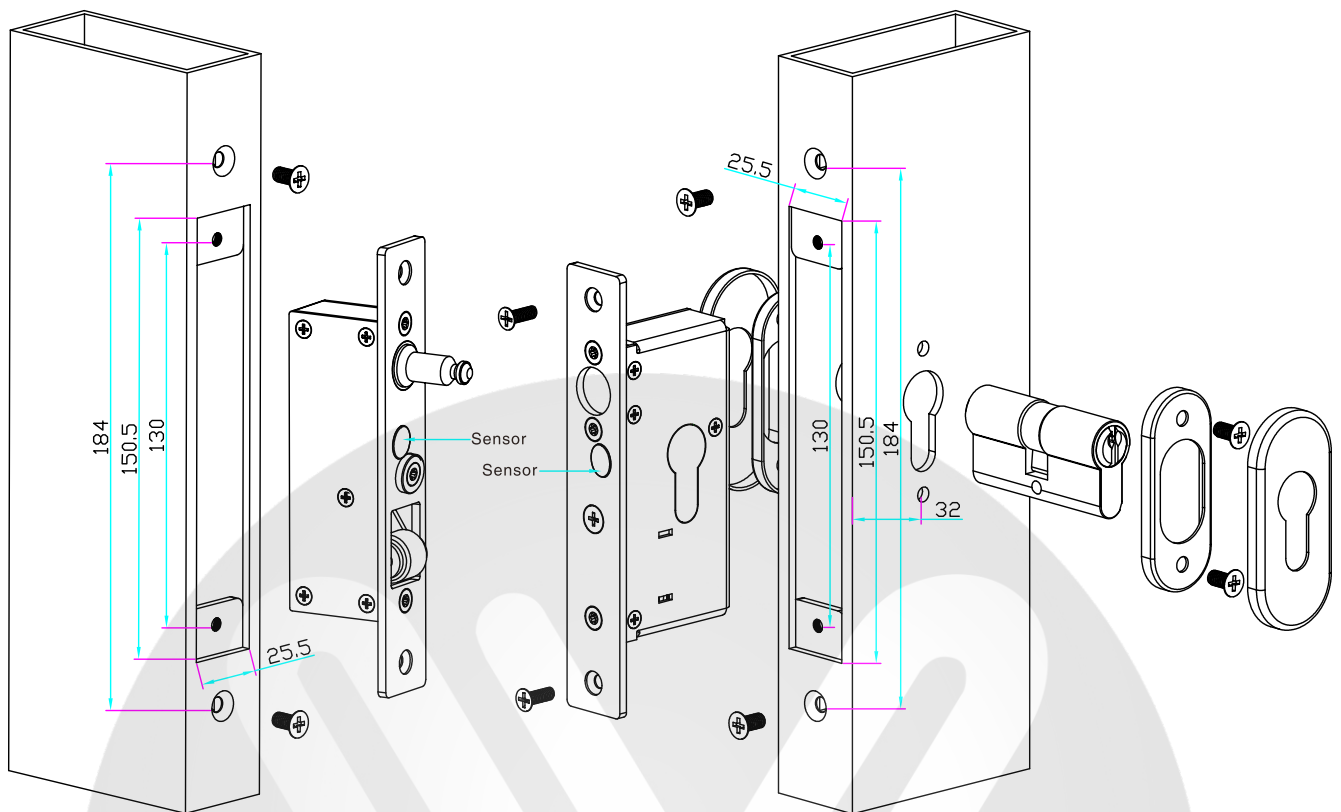
Parameters

Electric Bolt	150Lx25Wx38H(mm)
Electric Strike	150Lx25Wx53H(mm)
Voltage	DC 12V/DC 24V
Current	12V/850mA;24V/1700mA
Holding Force	About 300 kg
Signal Output	Lock sensor contact NO/NC/COM;Normal open
Feature	Fail Secure
Operating Temp	-20°C~+60°C
Weight	1.5kg

Dimensions



Installation



Wiring Diagram



Attention

For electric lock(fail secure),setup in access control of unlocking time should not exceed 10sec,should not let electric lock keeps being electrified all the time.